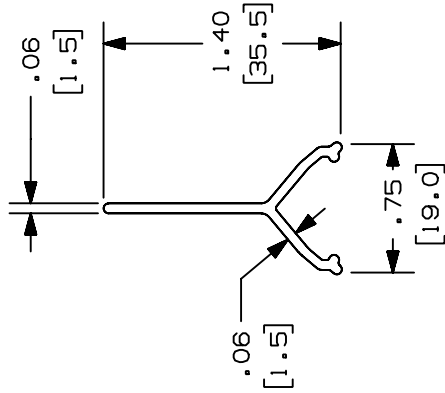


THIS COPY IS PROVIDED ON A RESTRICTED BASIS AND IS NOT TO BE USED IN ANY WAY DETRIMENTAL TO THE INTERESTS OF PANDUIT CORP.

PANDUIT P/N	LENGTH	WEIGHT
T70DW6	72.00 ±.18 (1829 ±4.6)	.44 LB/72 IN (200 G/1829 mm)
T70DW8	96.00 ±.18 (2438 ±4.6)	.59 LB/96 IN (268 G/2438 mm)
T70DW10	120.00 ±.18 (3048 ±4.6)	.73 LB/120 IN (332 G/3048 mm)
T70DW2	78.7 ±.18 (2000 ±4.6)	.48 LB/78.7 IN (218 G/2000 mm)



- NOTES:
- SEE CURRENT CATALOG FOR ADDITIONAL PART SUFFIXES TO INDICATE COLOR AND OR PACKAGE QUANTITY.
 - THE T70DW SNAPS ONTO RAILS IN THE CHANNELS.
 - DIMENSIONS IN PARENTHESIS ARE IN METRIC.

PANDUIT

CAD FILENAME/LAYERS D35541CB_DC-T70DW_02A.PRT

PANDUIT CORP. TINLEY PARK, ILLINOIS
T70 RACEWAY DIVIDER WALL
(T70DW6, T70DW8, T70DW10, T70DW2)

UNLESS OTHERWISE SPECIFIED, DIMENSIONAL TOLERANCES ARE:
(.X) ± .010(.3)
(.XX) ± .03(.8) ANGLES ±

UNLESS OTHERWISE SPECIFIED, ALL DIMENSIONS ARE GIVEN IN INCHES, THIRD ANGLE PROJECTION.

DRAWN BY JBA MAT'L: NONE

DATE 09-19-96

CHECKED BY CEF

PVC

SCALE

DRAWING NO.

35541-28

DRG

A

SIZE

REV	DATE	BY	CHK	DESCRIPTION	ECN	CHK	CUST	SUP
3	05-18-04	JBN	BKR	F. REMOVED T70DW3 PART NUMBER E. REVISED CAD FILE NAME	35541-28	RGRO	RGRO	
2	05-27-99	DW	HIW	D. REVISED WEIGHTS IN CHART C. REVISED PROFILE OF T70DW	35541-28	HIW	HIW	
-	-----	--	---	B. REVISED LENGTH TOLERANCE WAS ±.13 IN.(3.3)	-----	---	---	
1	07-08-98	DW	HIW	A. ADDED T70DW8, T70DW10, T70DW2, AND T70DW3 TO LENGTH AND WEIGHT	35541-28	HIW	HIW	
R	09-19-96	JBA	CEF	RELEASED TO PRODUCTION	35541-28	CEF		